

Motion detector - Professional Line

IS 2360 ECO 7m

white
EAN 4007841 006556
Article number 006556



infrared sensor 360°



max. 7 m

2000 W

max. 2000 W



IP54



2 - 2000 lux



8 sec - 35 min

5 years

manufacturer's warranty
steinel.de/garantie



CE

Function description

Slips into the background. And detects every movement. Stylish infrared ceiling sensor with an unobtrusive compact look. The surface-mounted IS 2360 motion detector with passive infrared sensor technology is the perfect choice for porches and small rooms. With a reach of 7 m and 360° detection zone, it reliably detects all movements with absolute precision. The precision IR sensor also impresses with its ease of installation.

Technical specifications

Dimensions (Ø x H)	115 x 51 mm	LED lamps > 2 W < 8 W	175 W
Manufacturer's Warranty	5 years	LED lamps > 8 W	350 W
Settings via	Potentiometers	Capacitive load in µF	132 µF
With remote control	No	Technology, sensors	passive infrared, Mixed light metering
Version	white	Mounting height	2,00 – 4,00 m
PU1, EAN	4007841006556	Mounting height max.	4,00 m
Type	Motion detectors	Optimum mounting height	2,8 m
Application, place	Outdoors, Indoors	Detection angle	360 °
Application, room	corridor / aisle, changing room, function room / ancillary room, kitchenette, stairwell, WC / washroom, multi-storey / underground car park, outdoors, warehouse, Indoors	Angle of aperture	180 °
Colour	white	Sneak-by guard	Yes
Colour, RAL	9010	Capability of masking out individual segments	Yes
Includes corner wall mount	No	Electronic scalability	No
Installation site	ceiling	Mechanical scalability	No
Package content	1	Reach, radial	Ø 3 m (7 m ²)
		Reach, tangential	Ø 7 m (38 m ²)
		Switching zones	664 switching zones

<https://www.steinell.de>

Subject to technical modifications

06.2026 Page 1 from 3

IS 2360 ECO 7m

white
 EAN 4007841 006556
 Article number 006556



Technical specifications

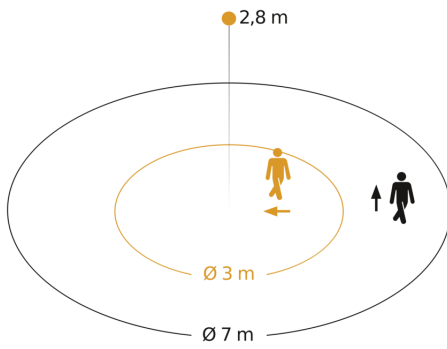
Installation	Surface wiring, Ceiling
IP-rating	IP54
Ambient temperature	from -20 up to 50 °C
Material	Plastic
Mains power supply	230 V / 50 – 60 Hz
Switching output 1, resistive	2000 W
Switching output 1, number of LEDs / fluorescent lamps	50 pcs.
Fluorescent lamps, electronic ballast	350 W
Fluorescent lamps, uncorrected	500 VA
Fluorescent lamps, series-corrected	500 VA
Fluorescent lamps, parallel-corrected	500 VA
Switching output 1, low-voltage halogen lamps	1000 VA
LED lamps < 2 W	100 W

Twilight setting	2 – 2000 lx
Time setting	8 s – 35 Min.
Basic light level function	No
Main light adjustable	No
Twilight setting TEACH	No
Constant-lighting control	No
Interconnection	Yes
Type of interconnection	Master/master
Interconnection via	Cable
Interconnection, number	max 5 sensors
Product category	Motion detector

IS 2360 ECO 7m

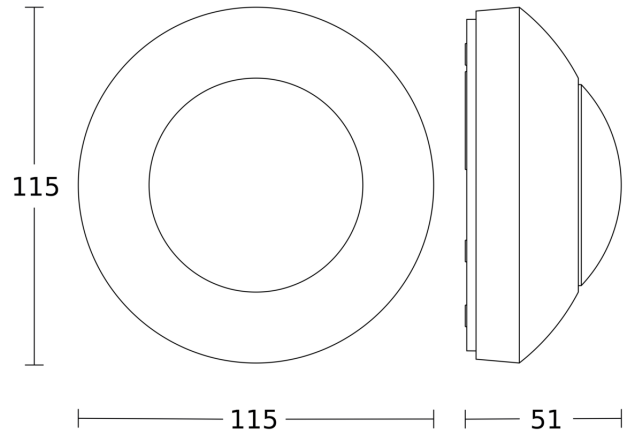
white
EAN 4007841 006556
Article number 006556

Detection Zone



Possible mounting height: 2,00 m – 4,00 m
Orange: radial
Black: tangential

Dimension Drawing



Circuit diagram

